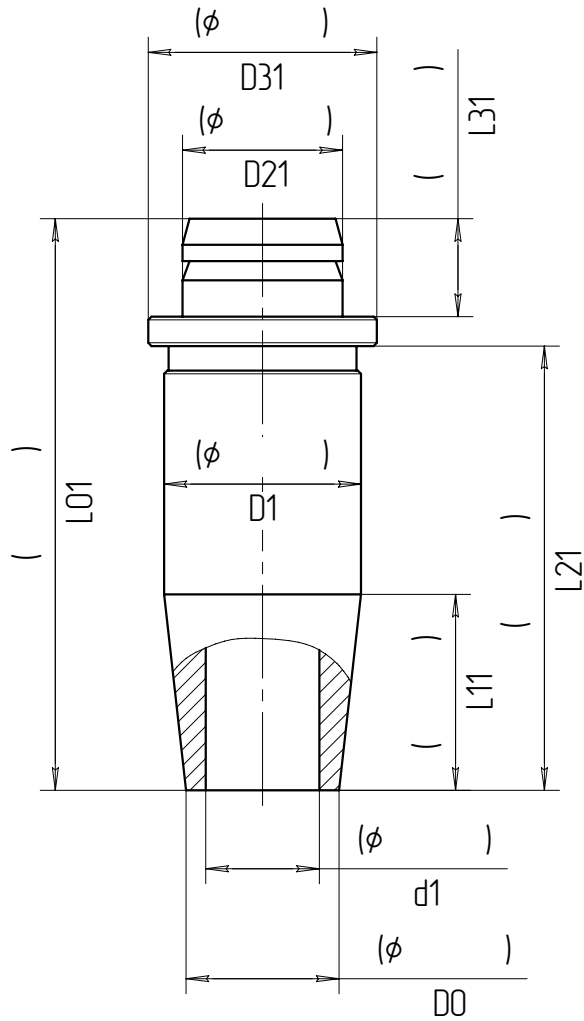
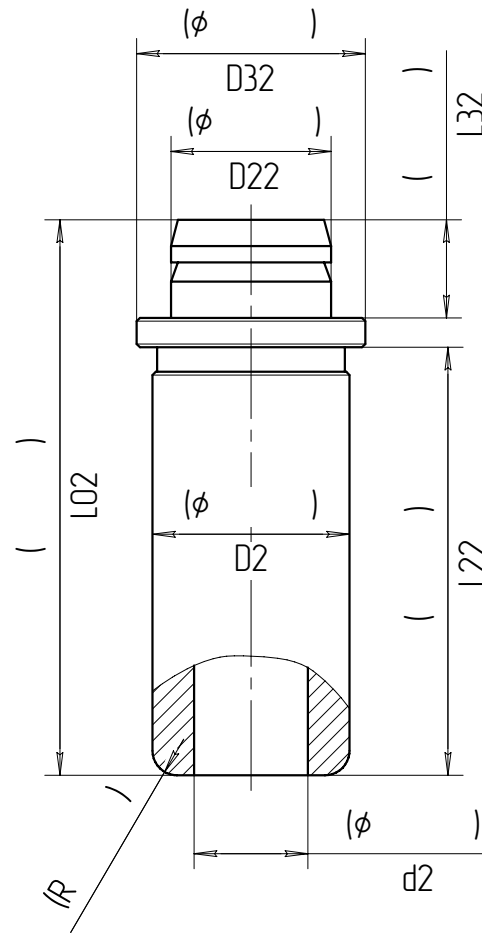




Intake



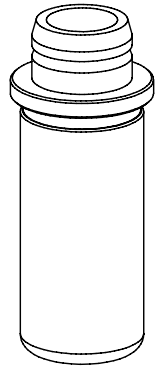
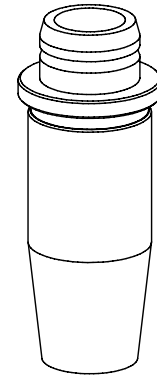
Exhaust



Custom Order Form Valve Guides

Intake

Exhaust



Customer _____

Part # _____

QTY _____

Date _____

Add.info