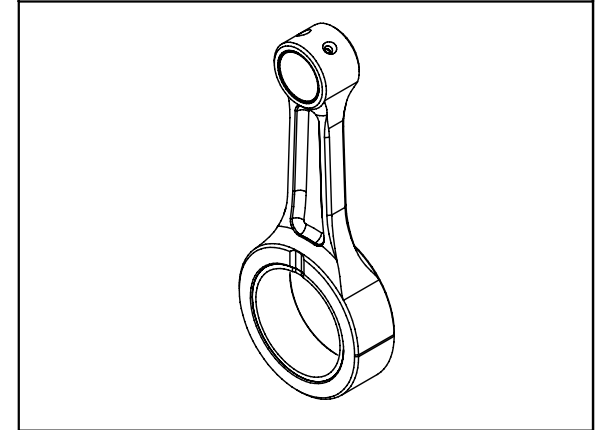
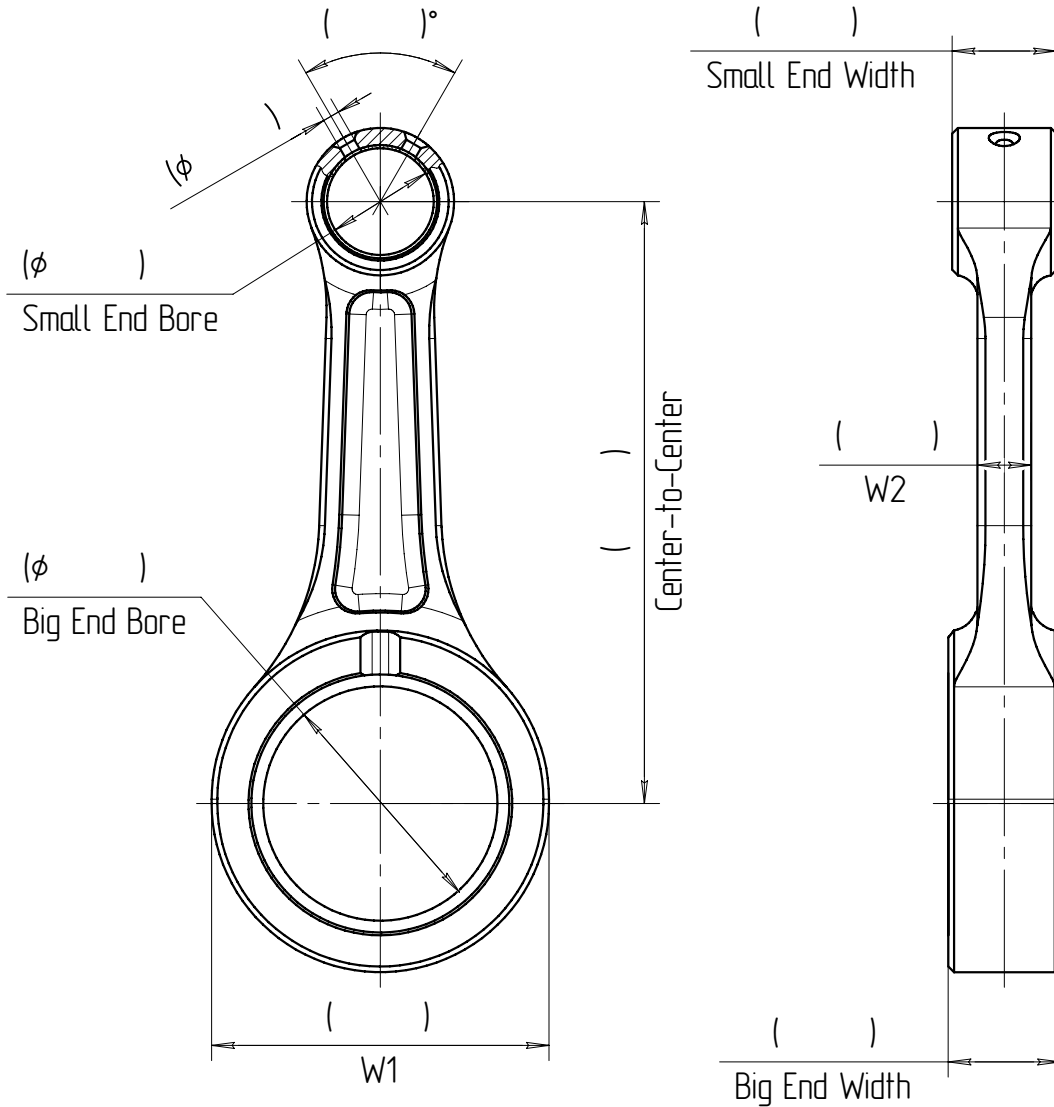




Custom Order Form One-Piece Connecting Rod



Customer _____	Part # _____	QTY _____	Date _____
Add.info			