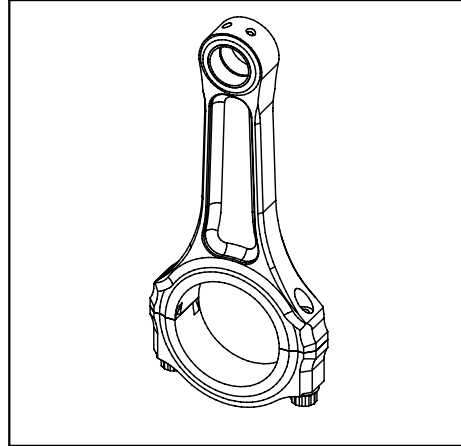
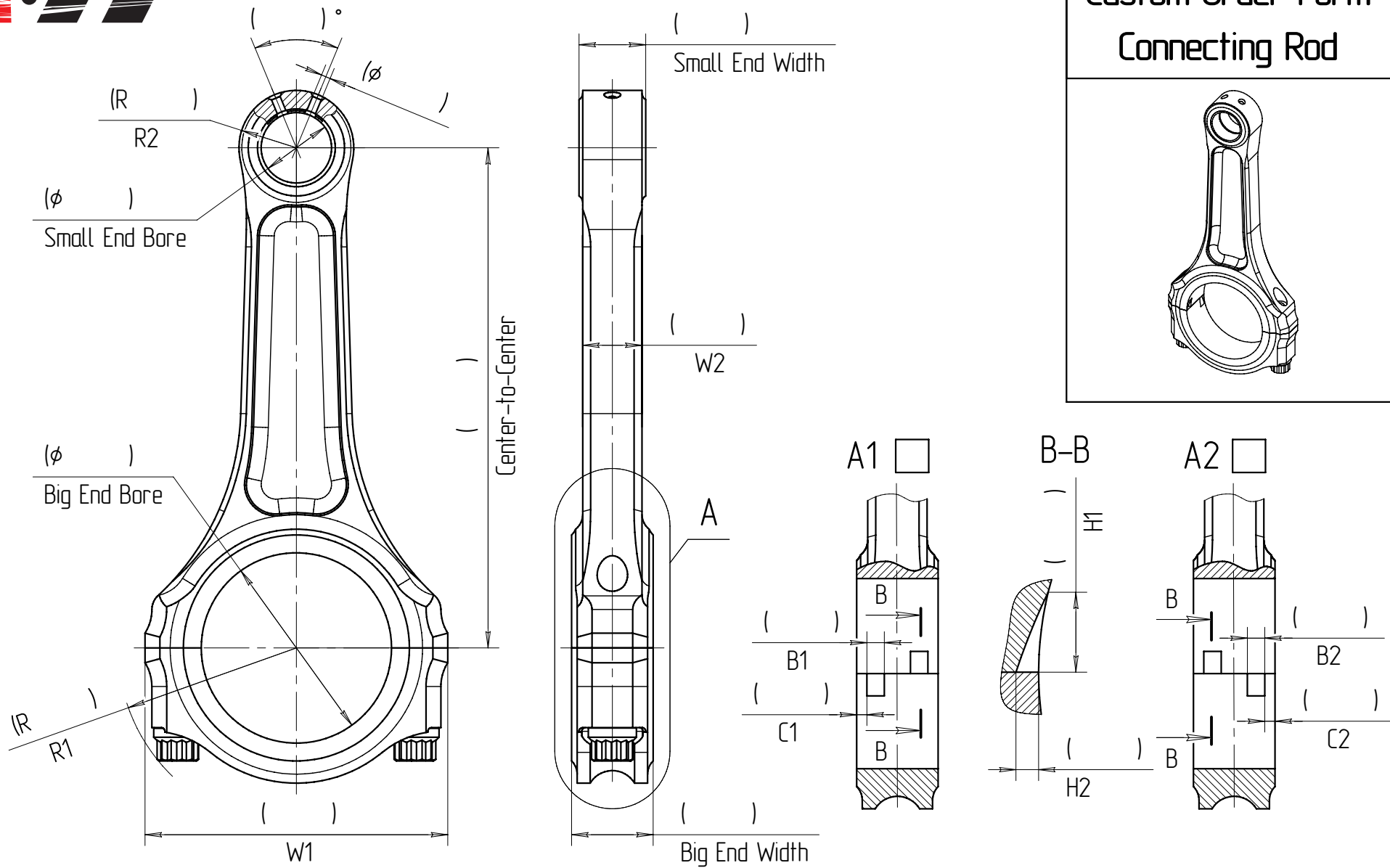




Custom Order Form Connecting Rod



Customer _____	Part # _____	QTY _____	Date _____
----------------	--------------	-----------	------------

Add.info _____